

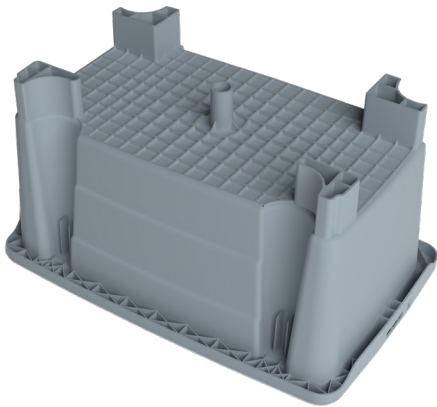
PERSIAN SANAT

NC 1

Nestable container is particularly popular in the food processing industry (meat, fish and poultry). It is also suitable to be used in construction industry, municipalities, snowy road maintenance.



Food-grade nestable container is used in many other applications, such as storage containers for food additives, spices, and other mixed products.



Nestable

Stackable



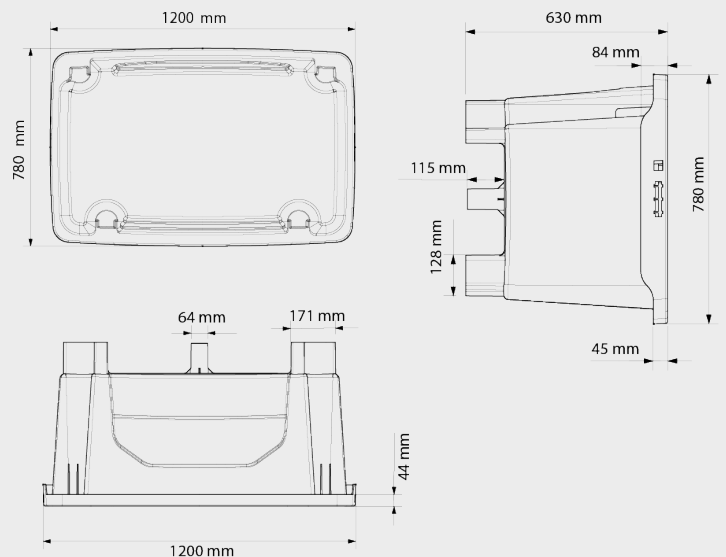
PERSIAN SANAT

Art No.
PS-1208-NC
Previous Name
Nestable Container

Net weight (kg)	17± 0.5
Bottom type	5 Legs
External dimension (mm)	1200×780×630
Internal dimension (mm)	1125×690×505
Capacity (L)	300
Temperature stability (°c)	-30 To +40
Stacking load (kg)	-
Static load (kg)	785
Dynamic load (kg)	250
Racking load (kg)	-
Loading quantities (pcs/approx.)	450 510
Surface type	-
Safety rims (mm)	-
Material	HDPE
Color	Other colors on request
Logo option	Print

the load capacities are based on an evenly distributed loads and it can vary according to the type of load.

Container 40 HC
 Jumbo Truck



POWER OF QUALITY

All dimensions may vary ± 5mm due to production process and raw materials characteristics.